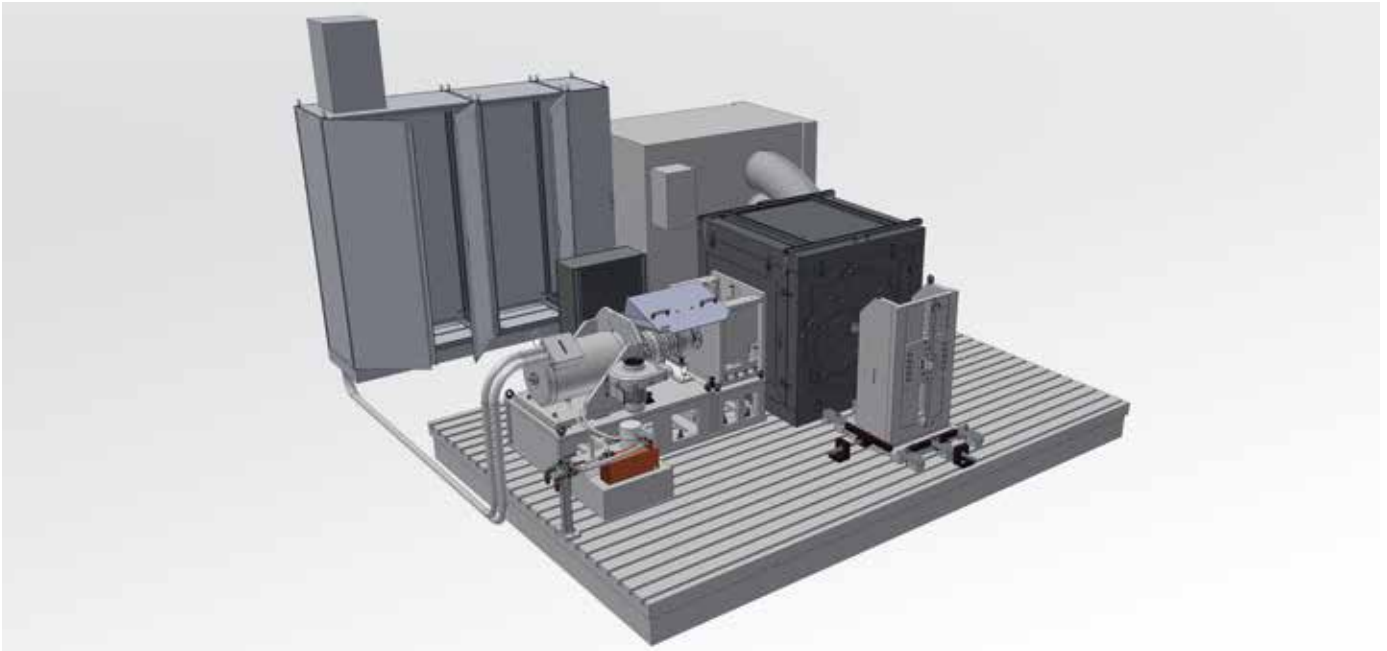


TEST STAND
FOR EMCD® AND ETM®

BLUM
NOVOTEST



TEST STAND FOR EMCD® AND ETM®



This test stand is intended for testing EMCD® (Electro-Magnetic Control Devices) and ETM® (Electronic Torque Managers) and can execute various test programs in both automatic and manual mode. The components of the test stand are mounted on a machine bed, which stands on height-adjustable, vibration-insulating machine shoes. The following measured variables can be monitored at the specimen:

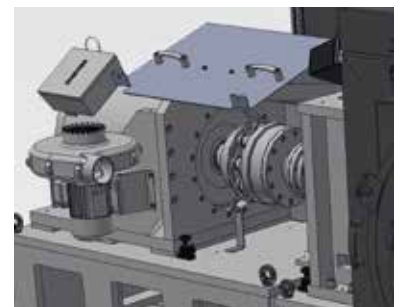
Torque, speed, chamber temperature, oil temperature, outside temperature at the specimen.

Features:

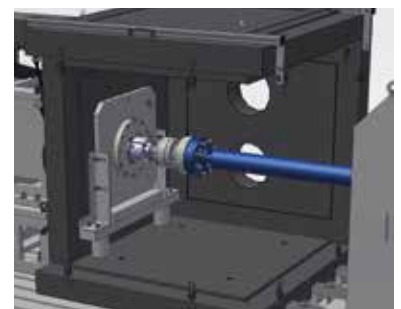
- Machine bed on vibration-insulating machine shoes
- Safety housing
- Climatic chamber
- Temperature sensors
- Hot and cold blowers

Technical data

Test stand dimensions (machine bed)	approx. 3200 x 3000 (LxW in mm)
Climatic unit dimensions	approx. 2350 x 1100 x 1300 (LxWxH in mm)
Temperature range	-40 °C to 150 °C
Specimen rigging height	approx. 660 mm
Drive motor	Speed max. 300 rpm Output max. 62 KW Torque max. 2000 Nm



Coupling arrangement



Driveline